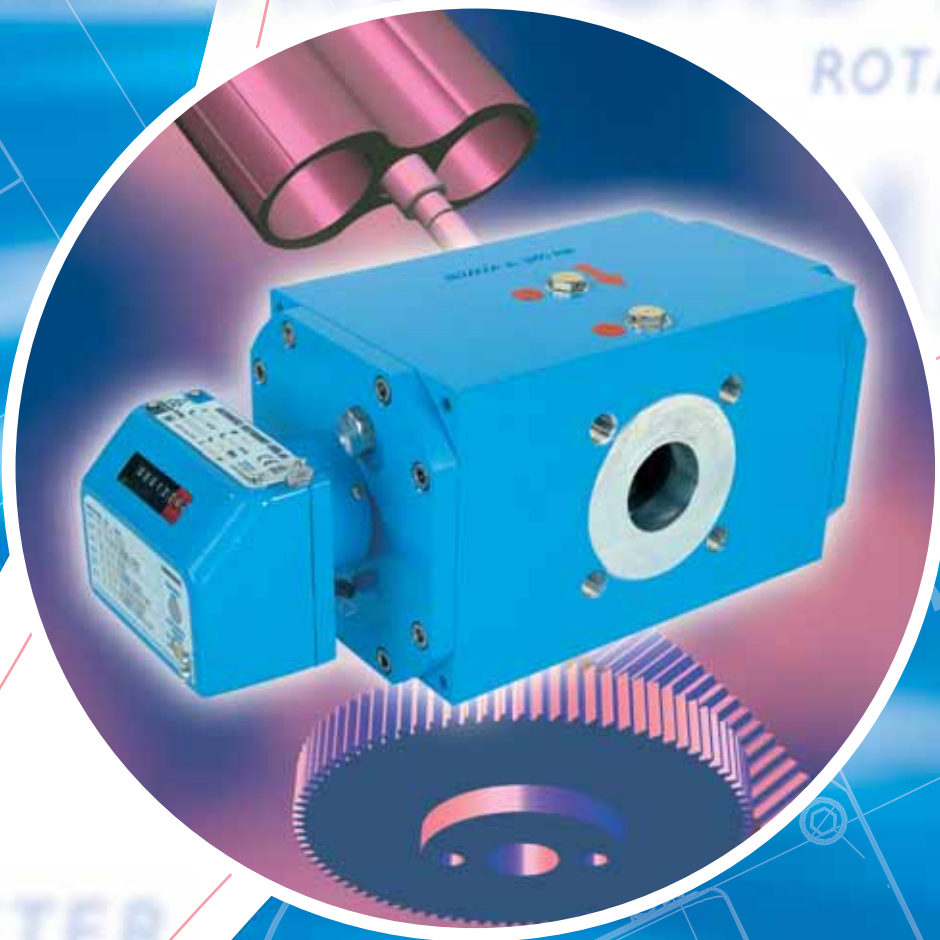




# ROTARY GAS METER

ROTARY GAS METER



METER

METER



|   |  |        |
|---|--|--------|
| 1 | Design and function                        | page 2 |
| 2 | General technical data                     | page 3 |
| 3 | Measurement outputs                        | page 4 |
| 4 | Dimensions                                 | page 5 |
| 5 | Selection of CGR Rotary Gas Meter          | page 7 |
| 6 | Pressure loss                              | page 8 |
| 7 | Installation and operation recommendations | page 8 |



The rotary gas meters are positive displacement meters, designed to measure quantity of gas, for custody transfer or technical measurement applications. The devices are mainly applied for gas flow ranges from 0.2 up to 650 m<sup>3</sup>/h, and the pressure range up to 20 bar. Special design rotary gas meters may also be used in higher pressure installations.

The CGR Rotary Gas Meters are applied in measurement systems where high accuracy is required:

- transportation of natural gas
- primary and secondary measurements
- control metering of natural gas and non aggressive technical gases in industry
- flow measurement for technical purposes

The majority of applications are regional or local gas stations. Being a very precise instruments, resistant to disturbances and having a wide measurement range, the CGR Rotary Gas Meters satisfy all technical demands of customers.



# 1 DESIGN AND FUNCTION

The gas flow through the rotary gas meter measurement chamber makes the two “8”-shaped rotors to turn. The volume of gas closed between the measuring chamber walls and rotors is transported four times in one full cycle from the meter inlet to the outlet. The timing gears set the rotors at the angle of 90° one to the other. The gear train, and the incorporated gas tight and hermetic magnetic coupling, transfers the rotor rotation to the index unit, which is separated in that way from the pressure tight housing. The actual volume of gas is indicated on the mechanical counter. The measurement cartridge, as a separate unit, is fixed in the pressure resistant hous-

ing by means of elastomere gaskets. Thanks to this, the possible stresses, e.g. arising from improperly aligned piping, have no influence on measurement results of the CGR Rotary Gas Meter. Moreover, the measuring cartridge elements are made of materials with carefully selected values of thermal expansion coefficients. This minimizes temperature stresses that could cause the rotor seizures. All above factors, together with the highest precision machining of parts allow to reduce small but necessary clearances between the moving rotors and the measurement chamber walls, what reduces gas leakages to minimum and results in very high accuracy

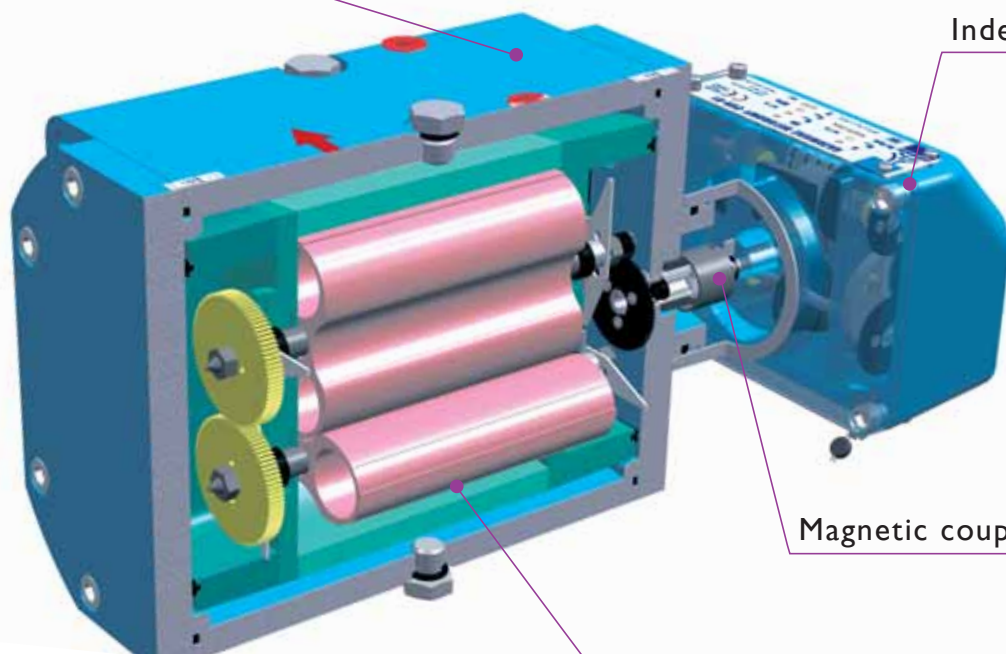
and wide measuring ranges of our CGR Rotary Gas Meters.

The CGR Rotary Gas Meter consists of the following main assemblies:

- Pressure resistant housing
- Measuring assembly
- Magnetic coupling
- Index head

All parts subject to servicing or maintenance, like mechanical counter, LF (HF) sockets, oil filler and drain plugs, oil level sight-glass, are located on the front side of the meter. Thanks to this, it is not necessary to access the back side of the CGR meter and then it could be located very close to a wall or other construction element what reduces the installation deep.

Pressure resistant housing



Index head

Magnetic coupling

Measuring assembly

table 1:

| DN<br>mm | G   | Maximum flow<br>$Q_{max}$<br>[m <sup>3</sup> /h] | Minimum flow $Q_{min}$ [m <sup>3</sup> /h]<br>Rangeability |      |      |       |       |       |       | Version | V<br>cyclic<br>volume<br>[dm <sup>3</sup> ] | LF<br>pulse<br>rate<br>[m <sup>3</sup> /pulse] |     |
|----------|-----|--|--|------|------|-------|-------|-------|-------|---------|---|--|-----|
|          |     |  | 1:50   | 1:65 | 1:80 | 1:100 | 1:130 | 1:160 | 1:200 |         |   |  |     |
| 40/50    | 16  | 25   | 0,5  | 0,4  | 0,3  | 0,25  | 0,2   | -     | -     | p       | 0,229                                       | 0,01   |     |
|          |     |  |  |      |      | -     | -     | -     | -     | w       | 0,316                                       |  |     |
|          | 25  | 40   | 0,8  | 0,6  | 0,5  | 0,4   | 0,3   | 0,25  | 0,2   | s       | 0,229                                       |  | 0,1 |
|          |     |  |  |      |      |       | -     | -     | -     | -       | p   |  |     |
|          | 40  | 65   | 1,3  | 1,0  | 0,8  | 0,6   | 0,5   | 0,4   | 0,3   | s       | 0,316                                       |  | 0,1 |
|          |     |  |  |      |      |       | -     | -     | -     | -       | p   |  |     |
| 50       | 65  | 100  | 2,0  | 1,6  | 1,3  | 1,0   | 0,8   | 0,6   | 0,5   | s       | 0,503                                       | 0,1  |     |
|          |     |  |  |      |      |       |       | -     | -     | p       | 0,823                                       |  |     |
|          |     |  |  |      |      |       |       | -     | -     | w       | 1,262                                       |  |     |
| 50/80    | 100 | 160  | 3,0  | 2,5  | 2,0  | 1,6   | 1,3   | 1,0   | 0,8   | s       | 0,823                                       | 0,1  |     |
|          |     |  |  |      |      |       |       |       |       | p       | 1,262                                       |  |     |
| 80/100   | 100 | 160  | 3,0  | 2,5  | 2,0  | 1,6   | 1,3   | 1,0   | 0,8   | p       | 1,310                                       | 0,1  |     |
|          |     |  |  |      |      |       |       |       |       | w       | 2,020                                       |  |     |
|          | 160 | 250  | 5,0  | 4,0  | 3,0  | 2,5   | 2,0   | 1,6   | 1,3   | s       | 1,310                                       | 0,1  |     |
|          |     |  |  |      |      |       |       |       |       | p       | 2,020                                       |  |     |
| 100      | 250 | 400  | 8,0  | 6,0  | 5,0  | 4,0   | 3,0   | 2,5   | 2,0   | w       | 3,385                                       | 1  |     |
|          |     |  |  |      |      |       |       |       |       | s       | 2,020                                       |  |     |
|          |     |  |  |      |      |       |       |       |       | p       | 3,385                                       |  |     |
|          | 400 | 650  | 13   | 10   | 8,0  | 6,0   | 5,0   | 4,0   | 3,0   | s       | 3,385                                       | 1  |     |

p – basic, recommended

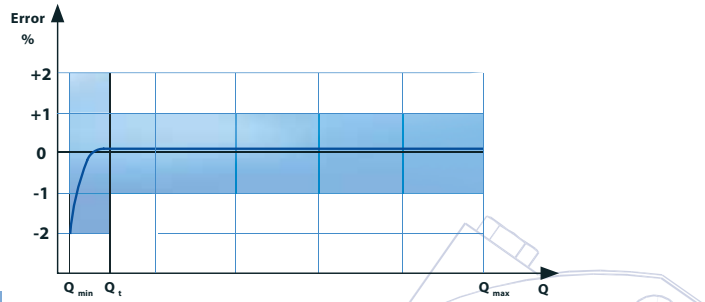
s – high speed version, smaller sizes, higher possible rangeability, higher noise level

w – low speed version, bigger sizes, smaller possible rangeability, lower noise level

- pressure rating: PN16, ANSI150
- meter sizes: G16 up to G400
- nominal diameter: DN 40 up to DN 100
- meter body: Aluminium
- flow rate: 0,2 up to 650 m<sup>3</sup>/h
- flow directions: variable directions possible without any construction changes (see section 7: "Installation and operation recommendations")
- rangeability: up to 1:250, depending on the meter size
- temperature range: gas temperature -20°C to +60°C  
ambient temperature -25°C to +70°C
- allowed medias: see table 2

measurement accuracy: EU requirements and better  
 guaranteed at least:  $Q_t - Q_{max} < \pm 1\%$   
 $Q_{min} - Q_t < \pm 2\%$

$Q_t$  – transition flow  
 $Q_t = 0,1 Q_{max}$  for rangeability 1:50  
 $Q_t = 0,05 Q_{max}$  for rangeabilities bigger than 1:50



| Gas             | Chemical symbol (formula)      | Density $\rho$ [kg/m <sup>3</sup> ] | Density related to air | Gas meter execution |
|-----------------|--------------------------------|-------------------------------------|------------------------|---------------------|
| Argon           | Ar                             | 1,66                                | 1,38                   | standard IIB        |
| Butane          | C <sub>4</sub> H <sub>10</sub> | 2,53                                | 2,10                   | standard IIB        |
| Carbon dioxide  | CO <sub>2</sub>                | 1,84                                | 1,53                   | standard IIB        |
| Carbon monoxide | CO                             | 1,16                                | 0,97                   | standard IIB        |
| Ethane          | C <sub>2</sub> H <sub>6</sub>  | 1,27                                | 1,06                   | standard IIB        |
| Ethylene        | C <sub>2</sub> H <sub>4</sub>  | 1,17                                | 0,98                   | standard IIB        |
| Helium          | He                             | 0,17                                | 0,14                   | standard IIB        |
| Methane         | CH <sub>4</sub>                | 0,67                                | 0,55                   | standard IIB        |
| Natural gas     | -                              | ~0,75                               | ~0,63                  | standard IIB        |
| Nitrogen        | N <sub>2</sub>                 | 1,16                                | 0,97                   | standard IIB        |
| Propane         | C <sub>3</sub> H <sub>8</sub>  | 1,87                                | 1,56                   | standard IIB        |
| Acetylene       | C <sub>2</sub> H <sub>2</sub>  | 1,09                                | 0,91                   | <b>special IIC</b>  |
| Hydrogen        | H <sub>2</sub>                 | 0,084                               | 0,07                   | <b>special IIC</b>  |
| Air             | -                              | 1,20                                | 1,00                   | standard IIB        |

table 2: Physical properties of most popular gases that may be measured with the CGR Rotary Gas Meters - density at 101,325 kPa and at 20°C

### 3 MEASUREMENT OUTPUTS

#### PRESSURE AND TEMPERATURE OUTPUTS

Reference pressure (operating pressure) connection tap is located in the centre of the housing and is marked as “pr”. On the same side of the body there is another pressure tap for measuring the outlet pressure, if necessary. Same taps are also placed on the opposite side of the housing. For the measurement of the gas temperature, the gas meter can be optionally equipped with two temperature pockets located at the inlet side of the body. Same taps may be also placed on the opposite side of the housing.

#### PULSE SENSORS

The mechanical index unit indicates the actual volume of the measured gas at operating temperature and operating pressure. It can be rotated axially by 350° in order to facilitate the readings and enable easier connection of pulse sensor plugs. The index unit is provided with one low frequency LFK reed contact pulse transmitter, as a standard. On request the index may be equipped with:

- LFI inductive pulse sensor (NAMUR)
- HF inductive pulse sensor (NAMUR)

| HF                       | LFI                        | LFK, AFK                   |
|--------------------------|----------------------------|----------------------------|
| U <sub>i</sub> = 16 V Dc | U <sub>i</sub> = 15,5 V DC | U <sub>i</sub> = 15,5 V DC |
| I <sub>i</sub> = 25 mA   | I <sub>i</sub> = 52 mA     | I <sub>i</sub> = 52 mA     |
| P <sub>i</sub> = 64 mW   | P <sub>i</sub> = 169 mW    | P <sub>i</sub> = 169 mW    |
| L <sub>i</sub> = 50 μH   | L <sub>i</sub> ≈ 40 μH     | L <sub>i</sub> ≈ 0         |
| C <sub>i</sub> = 30 nF   | C <sub>i</sub> = 28 nF     | C <sub>i</sub> ≈ 0         |

table 3: Permissible supply parameters of intrinsically safe circuits.

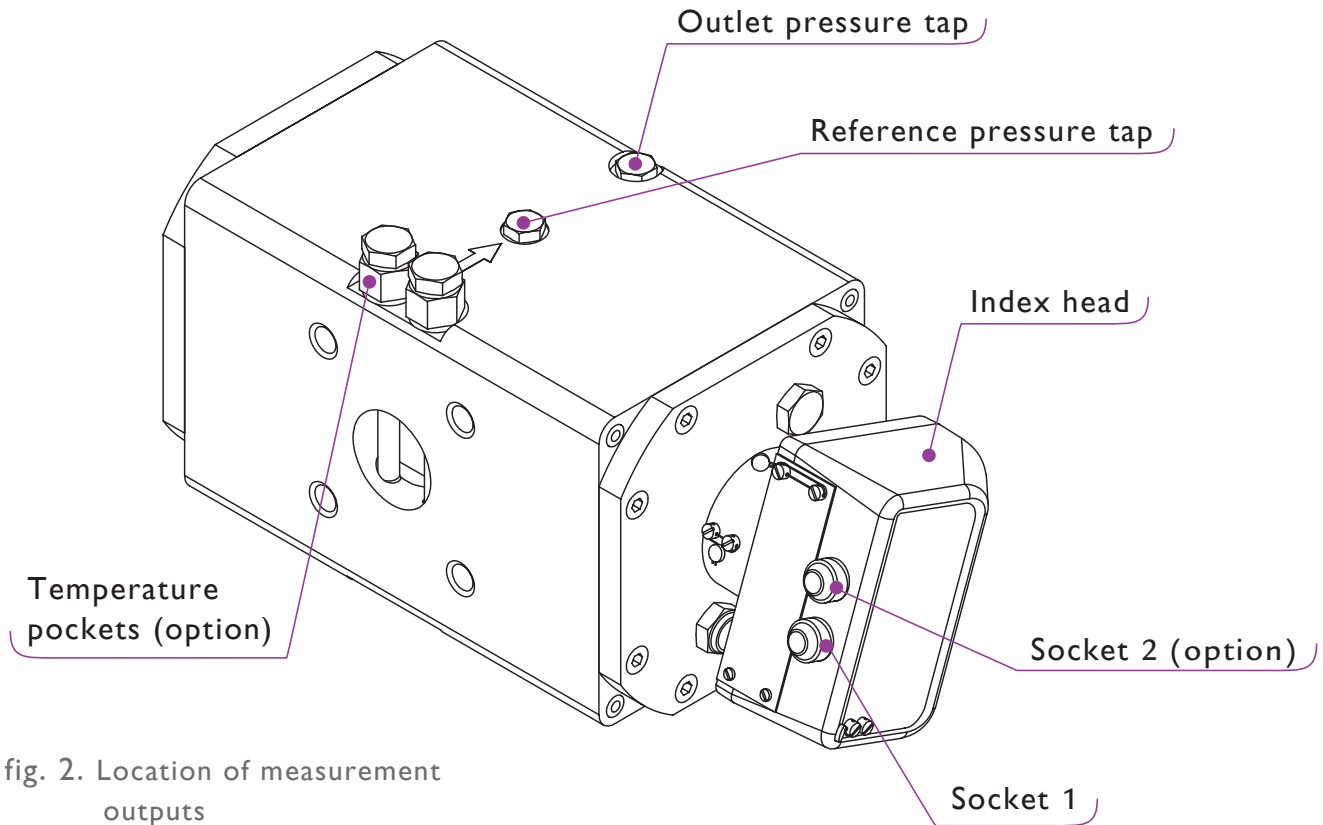


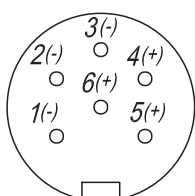
fig. 2. Location of measurement outputs

The CGR Rotary Gas Meters may be provided with up to 6 pulse sensors.

- LFK – low frequency reed contact pulse sensor
- LFI – low frequency inductive pulse sensor
- HF – inductive pulse sensor in the index unit
- AFK – anti-fraud reed contact

- LFK1, LFK2
- LFI1, LFI2
- HF1, HF2
- AFK

fig. 3 Pulse sensor pin numbering in sockets 1 and 2 installed in the index head



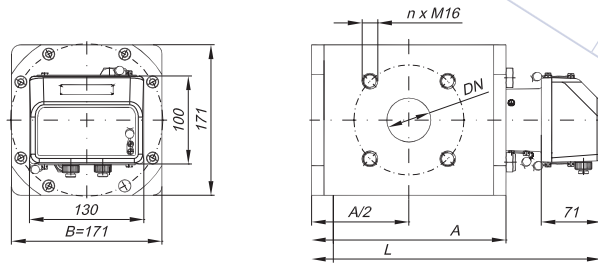
| Pin No | Socket 1 pulse sensors | Socket 2 pulse sensors |
|--------|------------------------|------------------------|
| 1 - 4  | LFK 1 (standard)       | LFK 2                  |
| 2 - 5  | LFI 1                  | LFI 2                  |
| 3 - 6  | HF 1 or AFK            | HF 2                   |

The sockets match the TUCHEL plug No C091 31H006 100 2

## DIMENSIONS

The main dimensions and weights of the CGR Rotary Gas Meters are shown in table 4.

Series "171"



Series "241"

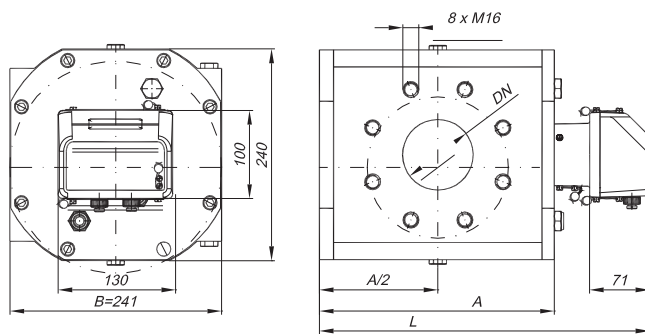


fig.5 Dimensions of the CGR Rotary Gas Meters

table 4

|       | DN |    |    |     | n | A<br>mm | B<br>mm | L<br>mm | Weight<br>kg | Cyclic volume<br>dm <sup>3</sup> |
|-------|----|----|----|-----|---|---------|---------|---------|--------------|----------------------------------|
|       | 40 | 50 | 80 | 100 |   |         |         |         |              |                                  |
| G16p  | +  | +  |    |     | 4 | 165     | 171     | 277     | 10           | 0,229                            |
| G16w  | +  | +  |    |     | 4 | 184     | 171     | 296     | 12           | 0,316                            |
| G25s  | +  | +  |    |     | 4 | 165     | 171     | 277     | 10           | 0,229                            |
| G25p  | +  | +  |    |     | 4 | 184     | 171     | 296     | 12           | 0,316                            |
| G25w  | +  | +  |    |     | 4 | 225     | 171     | 337     | 14           | 0,503                            |
| G40s  | +  | +  |    |     | 4 | 184     | 171     | 296     | 12           | 0,316                            |
| G40p  | +  | +  |    |     | 4 | 225     | 171     | 337     | 14           | 0,503                            |
| G40w  | +  | +  |    |     | 4 | 295     | 171     | 407     | 19           | 0,823                            |
| G65s  |    | +  |    |     | 4 | 225     | 171     | 337     | 14           | 0,503                            |
| G65p  |    | +  |    |     | 4 | 295     | 171     | 407     | 19           | 0,823                            |
| G65w  |    | +  |    |     | 4 | 391     | 171     | 503     | 24           | 1,262                            |
| G100s |    | +  |    |     | 4 | 295     | 171     | 407     | 19           | 0,823                            |
| G100p |    | +  |    |     | 4 | 391     | 171     | 503     | 24           | 1,262                            |
| G100s |    |    | +  |     | 8 | 295     | 171     | 407     | 19           | 0,823                            |
| G100p |    |    | +  |     | 8 | 391     | 171     | 503     | 24           | 1,262                            |
| G100p |    |    | +  | +   | 8 | 249     | 241     | 356     | 25           | 1,310                            |
| G100w |    |    | +  | +   | 8 | 314     | 241     | 421     | 31           | 2,020                            |
| G160s |    |    | +  | +   | 8 | 249     | 241     | 356     | 25           | 1,310                            |
| G160p |    |    | +  | +   | 8 | 314     | 241     | 421     | 31           | 2,020                            |
| G160w |    |    | +  | +   | 8 | 439     | 241     | 546     | 42           | 3,385                            |
| G250s |    |    |    | +   | 8 | 314     | 241     | 421     | 31           | 2,020                            |
| G250p |    |    |    | +   | 8 | 439     | 241     | 546     | 42           | 3,385                            |
| G400s |    |    |    | +   | 8 | 439     | 241     | 546     | 42           | 3,385                            |

p – basic, recommended

s – high speed version, smaller sizes, higher possible rangeability, higher noise level

w – low speed version, bigger sizes, smaller possible rangeability, lower noise level



# 5 SELECTION OF CGR ROTARY GAS METER

In order to choose the proper size of the rotary gas meter the following operating condition parameters should be known:

- flow range  $Q_{\min m}$  and  $Q_{\max m}$  [ $m^3/h$ ]
- pressure range  $p_{\min m}$  and  $p_{\max m}$  [bar a]
- gas temperature range [K]

Usually flow range is given at standard conditions:  $Q_{\min N}$  and  $Q_{\max N}$  [ $Nm^3/h$ ]. Base conditions (NPT conditions: normal temperature and normal pressure) are country specific.

The following formula is to be used when converting standard flow cubic meters per hour into actual flow at operating conditions:

$$Q_{\min m} = Q_{\min s} \cdot Z \cdot \frac{p_s}{p_{\max m}} \cdot \frac{T_{\min m}}{T_s} \quad Q_{\max m} = Q_{\max s} \cdot Z \cdot \frac{p_s}{p_{\min m}} \cdot \frac{T_{\max m}}{T_s}$$

## DEFINITION:

$Q_{\min m}$  = minimum flow at operating conditions [ $m^3/h$ ]

$Q_{\max m}$  = maximum flow at operating conditions [ $m^3/h$ ]

$Q_{\min s}$  = minimum standard flow [ $Nm^3/h$ ]

$Q_{\max s}$  = maximum standard flow [ $Nm^3/h$ ]

$p_s$  = base pressure (according to national standards) [bar a]

$T_s$  = base temperature (according to national standards) [K]

$p_{\max m}$  = maximum operating pressure [bar a]

$p_{\min m}$  = minimum operating pressure [bar a]

$T_{\max m}$  = maximum operating temperature [K]

$T_{\min m}$  = minimum operating temperature [K]

$Z$  = real gas factor at operating conditions (for PN16  $Z \approx 1$ )

The gas meter size should be chosen (using actual flow at operating conditions) according to the following formula:

$$\begin{aligned} Q_{\min} &< Q_{\min m} \\ Q_{\max} &> Q_{\max m} \end{aligned}$$

where  $Q_{\min}$  and  $Q_{\max}$  – minimum and maximum flow, typical for the selected gas meter.

# 6

## PRESSURE LOSS

The inevitable pressure loss during the gas flow through the meter is determined at the atmospheric conditions.

To determine pressure losses for other gases and higher pressures, the following formula applies:

$$\Delta p_1 = \left( \frac{\rho}{\rho_a} \right) \cdot \left( \frac{p+p_s}{p_s} \right) \cdot \Delta p$$

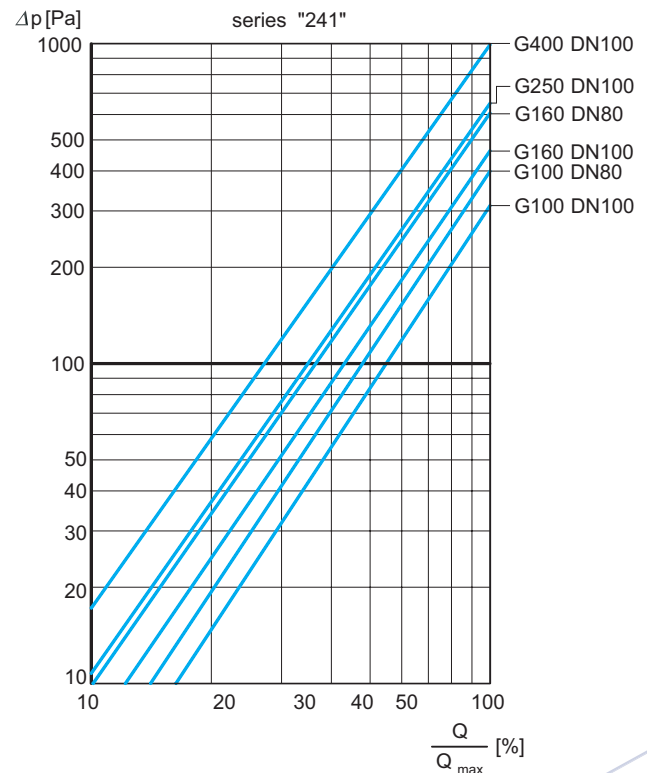
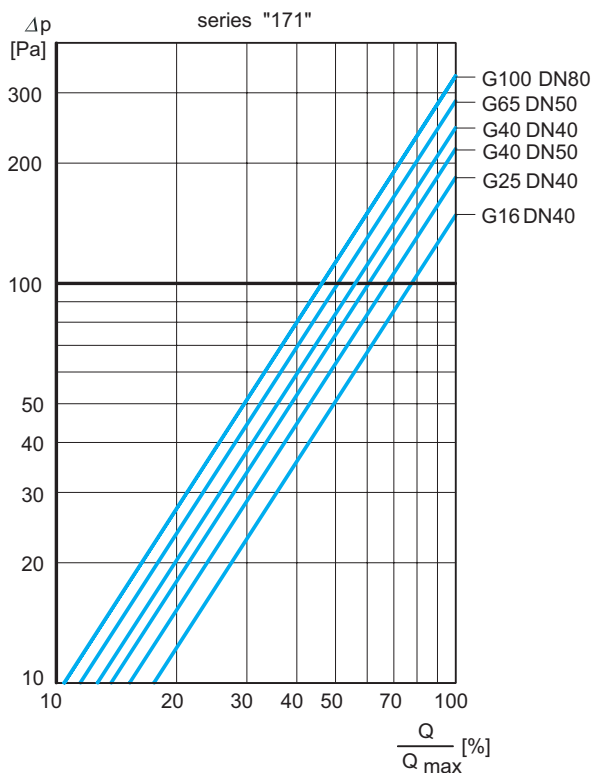


fig. 6 Diagram of pressure loss related to  $\rho = 1,2 \text{ kg/m}^3$

### DEFINITION:

$\Delta p_1$  = pressure loss at  $p$   
 $\Delta p$  = pressure loss from the diagram, fig. 6  
 $p$  = gauge pressure [bar]  
 $\rho$  = standard density of gas [ $\text{kg/m}^3$ ]

$\rho_a$  = standard density of air ( $1,2 \text{ kg/m}^3$ )  
 $p_s$  = base pressure (1.01325 bar)



# INSTALLATION AND OPERATION RECOMMENDATIONS

- Meters should be shipped in their original package to the place of installation.
- Meters have to be handled with care and be protected from falls, direct influence of rain, snow or high humidity.
- Meters can be installed in horizontal or vertical position (index head may be rotated by 350°).
- The upstream pipe installation have to be equipped with a gas filter (10 micron accuracy is recommended). Before putting into operation new stations or installations, it is recommended to install a Top Hat filter or a temporary cone sieve strainer.

**ATTENTION!** Heavy polluted gas can block the rotors abruptly. Therefore damages to the measurement cartridge may occur what results in blocking the gas flow!

- To assure proper work of the lubricating system, the meter has to be installed in horizontal position, and any mechanical shocks during the installation are not permitted.
- It is recommended to install the meter in closed compartments, if possible. When installed outdoors a protection against direct weather influence should be used.
- The piping should be executed so as to avoid unnecessary stresses acting on the meter.
- When starting the gas flow through the installation, the valves should be opened slowly to avoid gas impingement which could damage the meter.

**ATTENTION!** If valves are opened abruptly, or pressure increase takes place in a short time it may happen that the measurement cartridge will get damaged.

**ALWAYS REMEMBER TO START UP THE METERS  
IN A PROPER WAY!**

# ROTARY GAS METER

ROTARY GAS METER  
ROTARY GAS METER

• YOUR PARTNER



## COMMON S.A.

ul. Aleksandrowska 67/93

91-205 Łódź, Poland

tel. + 48 42 253 66 57

+ 48 42 253 66 58

fax + 48 42 253 66 99

<http://www.common.pl>

e-mail: [common@common.pl](mailto:common@common.pl)