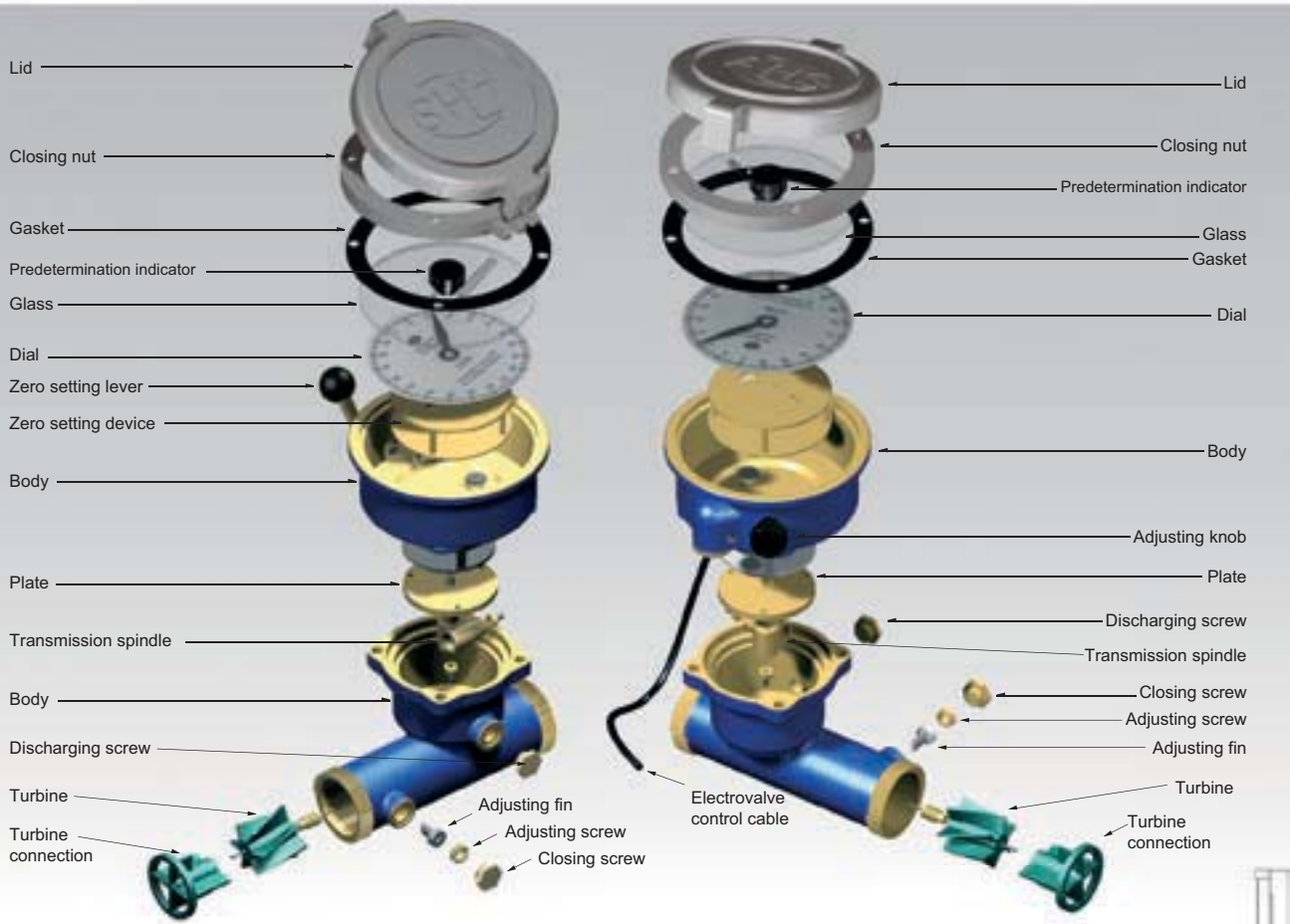


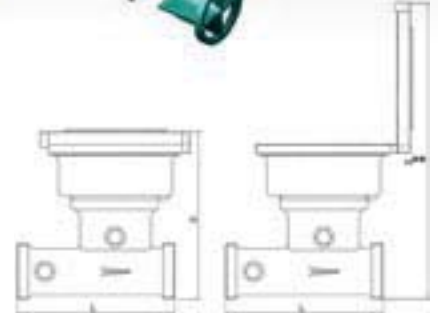


Lambda

LAMBDA-M Manual Batch Control Unit
LAMBDA-SA Semi-automatic Batch Control Unit



DN		Qmax m³/h	Qt ± 2% m³/h	Daily delivery m³	Dial reading liters	L mm	H mm	H** mm	Weight Kg
mm	inches								
25*	1"	7	0,28	22	100-200-500	260	190	330	4
32*	1.1/4"	10	0,4	30	100-200-500	260	190	330	4
40	1.1/2"	20	0,8	200	100-200-500-1000 2000-5000	170	190	335	4
50	2"	30	3	300	500-1000-2000-5000	200	198	340	6



*Available only in Manual version

LAMBDA-M Manual Batch Control Unit

The LAMBDA M can be used whenever accurate visual batching is required. The batching unit's dial is equipped with an arrow indicating the delivered volume with a pre-set needle to set the required volume to be delivered, and a manual lever for resetting the batcher to zero again. (note, there is no valve to stop the flow present) The batch control unit with axial turbine allows high deliveries of water flow with negligible pressure loss and may be installed in horizontal, vertical and inclined pipes. Operating life of the batch control unit is related both to the maximum flow rate and to the maximum daily delivery. The following conditions have to be taken into consideration:

$$3.6 V/t < Q \quad \begin{matrix} V = \text{batch volume of water in liters} \\ t = \text{time per batch in seconds} \\ Q = \text{max. flow-rate in m}^3/\text{h} \end{matrix}$$

$$nhV/1000 < E \quad \begin{matrix} n = \text{number of batch per hour} \\ h = \text{hours} \\ E = \text{max. daily delivery in m}^3 \end{matrix}$$

Operating instructions

- 1) Move the pre-set needle to the required batching value and verify that the batching unit arrow is set to zero.
- 2) Open the feed valve and close it when the arrow reaches the pre-set needle note: This is a manual operation device only and will not stop or control the flow.
- 3) Set to zero again by using the lever.

LAMBDA-SA Semi-automatic Batch Control Unit

The LAMBDA-SA can be used whenever accurate batching is required. The batching unit's dial is equipped with an arrow indicating the delivered volume with a pre-set needle to set the required volume to be delivered and a micro-switch which is actuated at the end of each batch (usually linked to a relay or solenoid valve.) The batch control unit with axial turbine allows high deliveries of water flow with negligible pressure loss and may be installed in horizontal, vertical and inclined pipes. Operating life of the batch control unit is related both to the maximum flow rate and to the maximum daily delivery. The following conditions have to be taken into consideration:

$$3.6 V/t < Q \quad \begin{matrix} V = \text{batch volume of water in liters} \\ t = \text{time per batch in seconds} \\ Q = \text{max. flow-rate in m}^3/\text{h} \end{matrix}$$

$$nhV/1000 < E \quad \begin{matrix} n = \text{number of batch per hour} \\ h = \text{hours} \\ E = \text{max. daily delivery in m}^3 \end{matrix}$$

Operating instructions

- 1) Set the arrow on the required batching value by turning the adjustment knob.
- 2) Open your flow control valve, the batching unit's display starts moving backwards until the zero is reached thus closing the micro-switch to then in turn, close the solenoid valve or operate a pump slave relay..