



**NEW**



## Multi-Jet Magnetic Water Meter Model M

Water meters using the multi-jet principle are the best cost/performance, long life, flow measurement instruments. Wide clearances in the measuring chamber and negligible area of contact between static and moving parts are the main reasons for the high reliability of this design even in hard water.



MH-M type meter for **HOT** water

### Features:

- Only one moving part - the impeller - in contact with the water for minimum wear and utmost reliability.
- Magnetically driven sealed registers. Stainless steel/glass encapsulated option is unconditionally guaranteed against fogging.
- Wide selection of dial configurations (3 pointers; central pointer) and units of measurements.
- Optional Electrical Output: EV, EF, Dialog 3G, Dialog 2G, DPE, MPE.

### Applications

For domestic, agriculture and industrial use.

### Available Sizes

1/2" - 1 1/4", 2" (15mm - 30mm, 50mm).

### Standards

ISO 4064, AWWA

### Technical Specifications

<b>Maximum Working Pressure</b>	10 bar (16 bar optional)
<b>Maximum Working Temperature</b>	50°C 90°C – For <b>HOT</b> water
<b>Body</b>	Corrosion proof copper alloy Cast Iron upon request
<b>*Option for plastic body in sizes 1/2" - 3/4"</b>	Reinforced polyethylene
<b>Coupling threads</b>	BSP, NPT

\*New light weight body available 2009



**M** type dial



▶ Velocity Type Meters

└ Multi Jet - M

Volumetric Meters

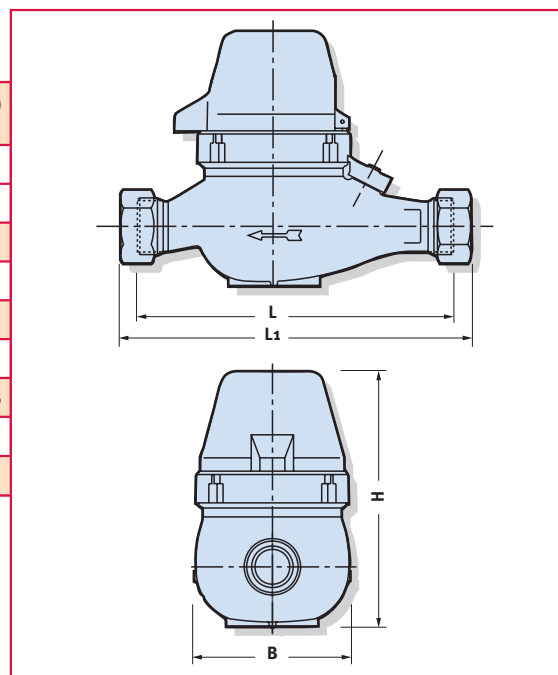
Electrical Output

🕒 Performance data:

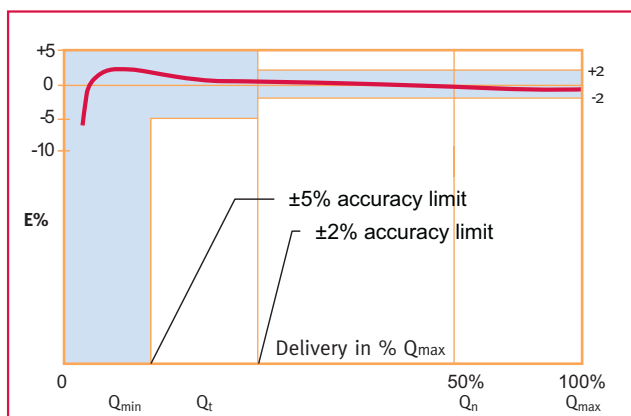
Model	Nominal Size (inch)	Qmax Maximum flowrate (m <sup>3</sup> /h)	Qn Nominal flowrate (m <sup>3</sup> /h)	Qt Transitional Flowrate (l/h)	Qmin Minimum Flowrate (l/h)	Maximum register capacity (m <sup>3</sup> )	Minimum register capacity (liter)	Accuracy between Qmax & Qt	Accuracy between Qt & Qmin
M15	1/2"	3	1.5	120	30	10 <sup>5</sup>	0.1	±2%	±5%
M20	3/4"	5	2.5	200	50	10 <sup>5</sup>	0.1		
M25/7	1"	7	3.5	280	70	10 <sup>5</sup>	0.1		
M25/10	1"	10	5	400	100	10 <sup>5</sup>	0.1		
M30	1 1/4"	12	6	480	120	10 <sup>5</sup>	0.1		
M50	2"	30	15	3000	450	10 <sup>6</sup>	1		

🕒 Dimensions

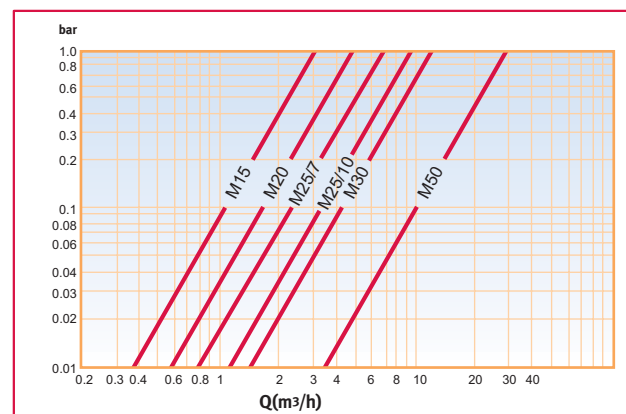
Model		M15 (short)	M15	M20	M25	M30	M50
Nominal size	(mm)	15	15	20	25	30	50
	(inch)	1/2	1/2	3/4	1	1 1/4	2
L – Length without couplings	(mm)	165	190	190	260	260	300
L1 – Length with couplings	(mm)	260	285	285	375	375	460
B – Width	(mm)	95	95	95	105	105	160
H – Height	(mm)	108	108	108	108	108	190
Weight	(kg)	1.9	2	2	2.8	2.8	10.3
Weight with couplings	(kg)	2.1	2.2	2.3	3.3	3.45	11.7
Weight (plastic body)	(kg)	0.55	0.56	0.60			



🕒 Accuracy Curve



🕒 Head Loss Curve



🕒 Installation Requirements

- The Meter should be installed in horizontal position.
- Pipeline must be flushed before installation.
- The meter should be constantly full of water.

